

**Project:**

Fuel Retail Outlet

**Location:**

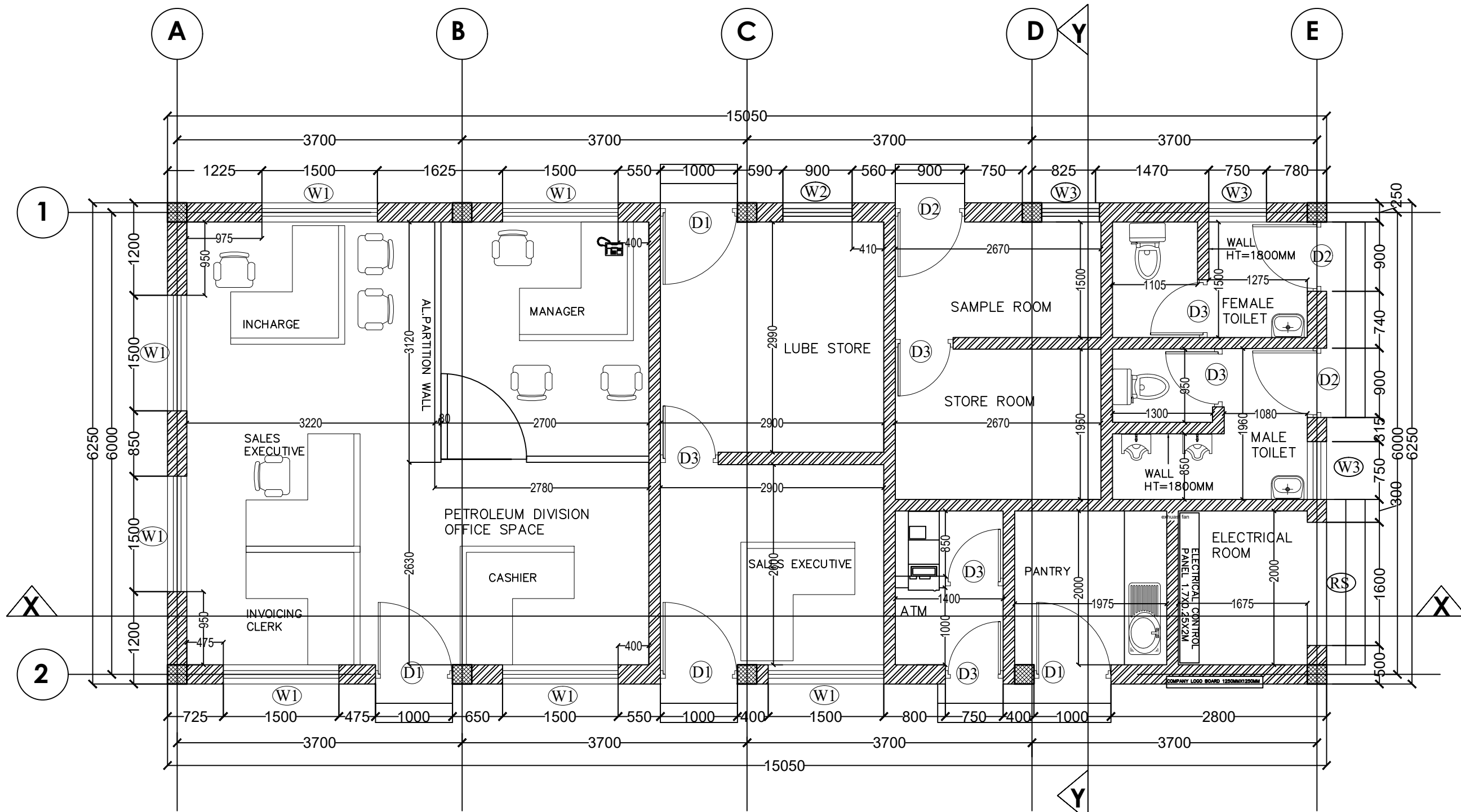
Dzongkhag: Chukha  
(Chamkuna Lap)

Phuentsholing Thromde  
PLOT ID: LPGT-225

**Owner**



State Trading Corporation of Bhutan Ltd

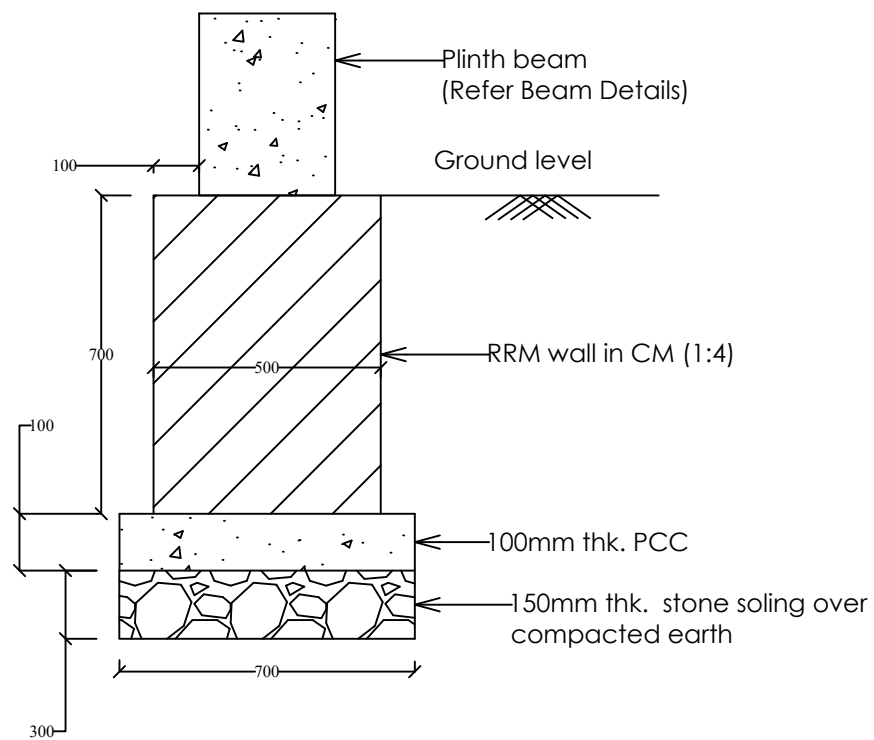
**STRUCTURAL DRAWINGS**



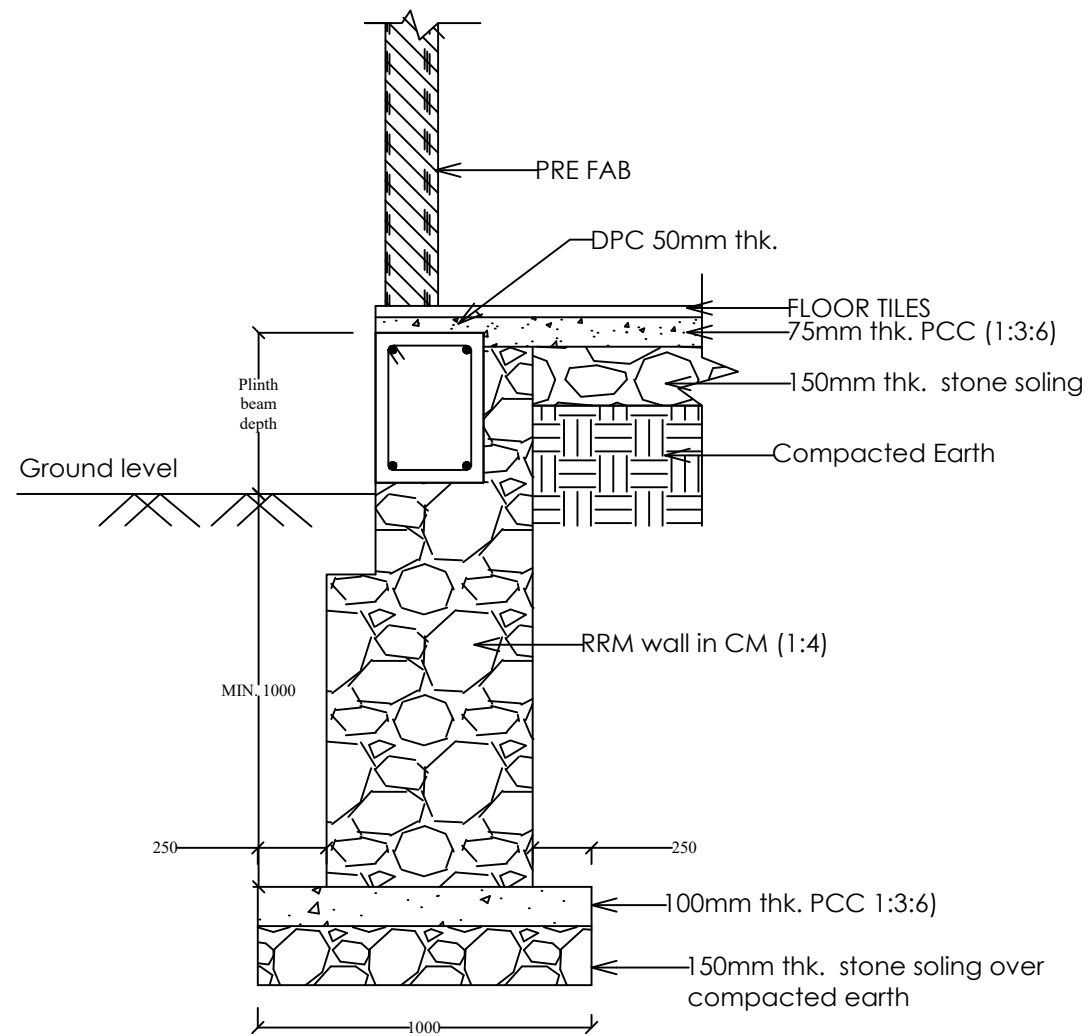
GROUND FLOOR PLAN

NOTE: THE BUILDING SHALL BE PRE FAB  
CONSIDERING THE SAME LAYOUT AND  
PLAN.



PROJECT TITLE : Fuel Retail Outlet		LOCATION : CHAMKUNA LAP, PHUENTSHOLING	DATE: MARCH, 2021	SHEET NO   STC- 02	NOTE: ALL DIMENSIONS ARE IN MILLIMETERS UNLESS SPECIFIED OTHERWISE ALL DIMENSIONS MEASURE UNFINISHED SURFACES UNLESS SPECIFIED OTHERWISE ALL DIMENSIONS ARE TO BE READ AND NOT SCALE OFF ANY DISCREPANCY IN DRAWING IS TO BE BROUGHT TO THE IMMEDIATE NOTICE OF THE ARCHITECT AND THE ENGINEER		www.greendesign.bt gdshbtan@gmail.com +975 17631322/77845668 FLAT NO 8/11 CONVENIENT STORE NEXT TO THIMPHU THROMDE BUILDING THIMPHU: BHUTAN
DRAWING TITLE : GROUND FLOOR PLAN	SCALE : NTS	THRAM NO- -	PLOT NO- LGPT-225	OWNER: STCBL			

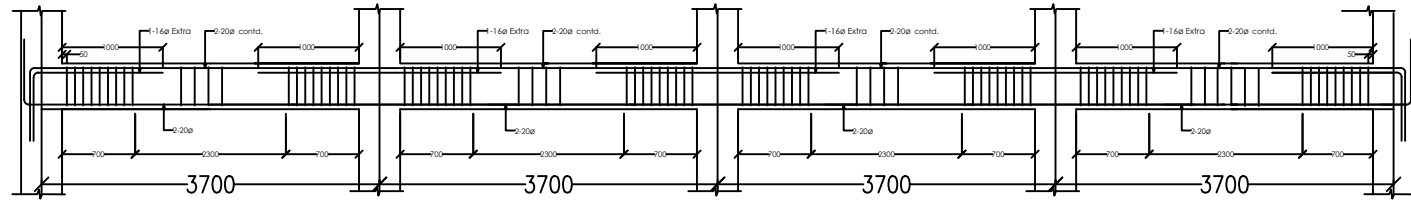


**FOUNDATION SECTION DETAIL  
BELOW PLINTH BEAM  
(INTERNAL WALL)**

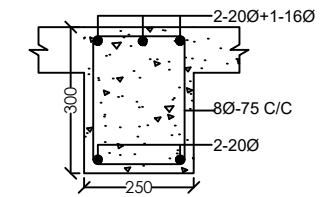


**FOUNDATION SECTION DETAIL  
BELOW PLINTH BEAM  
(EXTERNAL WALL)**

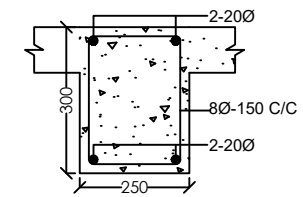
PROJECT TITLE : Fuel Retail Outlet	 SCALE : NTS	LOCATION : CHAMKUNA LAP, PHUENTSHOLING	DATE: MARCH, 2021	SHEET NO   STC- 03	NOTE: ALL DIMENSIONS ARE IN MILLIMETERS UNLESS SPECIFIED OTHERWISE ALL DIMENSIONS MEASURE UNFINISHED SURFACES UNLESS SPECIFIED OTHERWISE ALL DIMENSIONS ARE TO BE READ AND NOT SCALE OFF ANY DISCREPANCY IN DRAWING IS TO BE BROUGHT TO THE IMMEDIATE NOTICE OF THE ARCHITECT AND THE ENGINEER	 State Trading Corporation of Bhutan Ltd	<a href="http://www.greendesign.com.bt">www.greendesign.com.bt</a> <a href="mailto:gdshutan@gmail.com">gdshutan@gmail.com</a> +975 1763132277845668 FLAT NO 8/11 CONVENIENT STORE NEXT TO THIMPHU THROMDE BUILDING THIMPHU: BHUTAN
DRAWING TITLE : <b>FOUNDATION DETAILS</b>		THRAM NO- -	PLOT NO- LGPT-225	OWNER: STCBL	DESIGN & DRAWN BY SUGAN PRADHAN CIVIL ENGINEER		



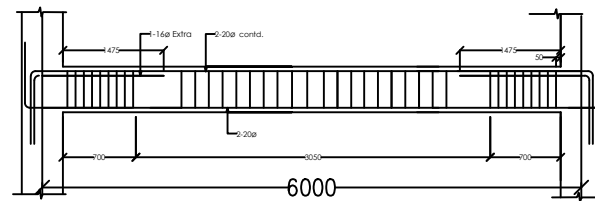
ALONG GRID 1 & 2



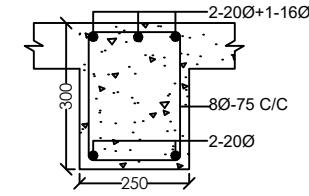
AT END



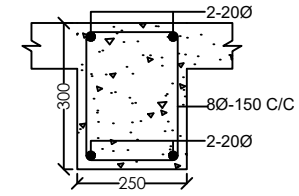
AT MID SPAN



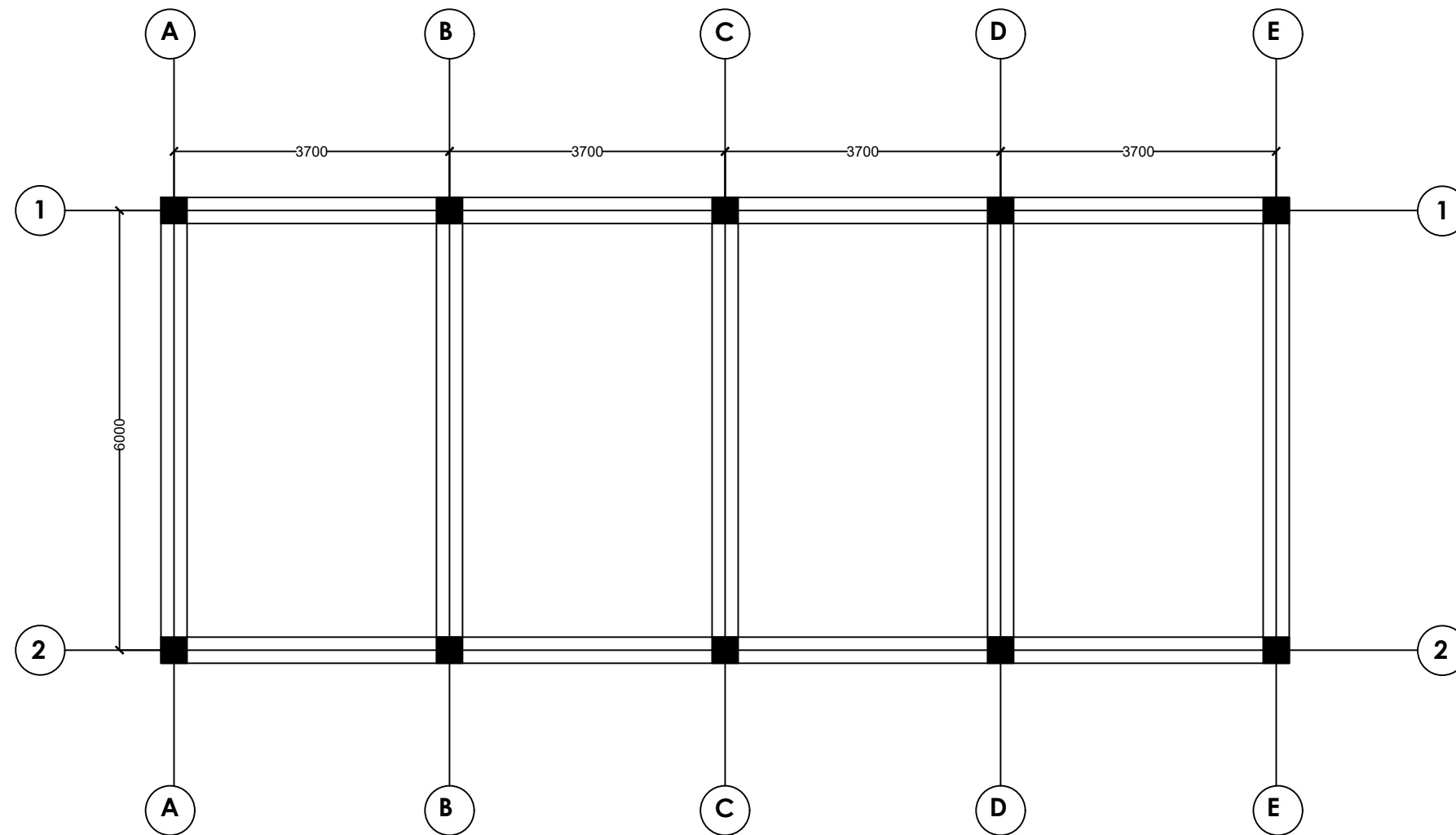
ALONG GRID A, B, C, D & E



AT END



AT MID SPAN



PLINTH BEAM DETAILS

PROJECT TITLE : Fuel Retail Outlet



LOCATION :  
CHAMKUNA LAP,  
PHUENTSHOLING

DATE:  
MARCH, 2021

SHEET NO STC- 04

NOTE:

ALL DIMENSIONS ARE IN MILLIMETERS UNLESS SPECIFIED OTHERWISE  
ALL DIMENSIONS MEASURE UNFINISHED SURFACES UNLESS SPECIFIED OTHERWISE  
ALL DIMENSIONS ARE TO BE READ AND NOT SCALE OFF  
ANY DISCREPANCY IN DRAWING IS TO BE BROUGHT TO THE IMMEDIATE NOTICE OF THE ARCHITECT AND THE ENGINEER



www.greendesign.com.bt  
gdshutan@gmail.com  
+975 1763132277845668  
FLAT NO 8/GONGDZIN LAM  
ABOVE 8/11 CONVENIENT  
STORE NEXT TO THIMPHU  
THROMDE BUILDING  
THIMPHU: BHUTAN

DRAWING TITLE : BEAM DETAILS

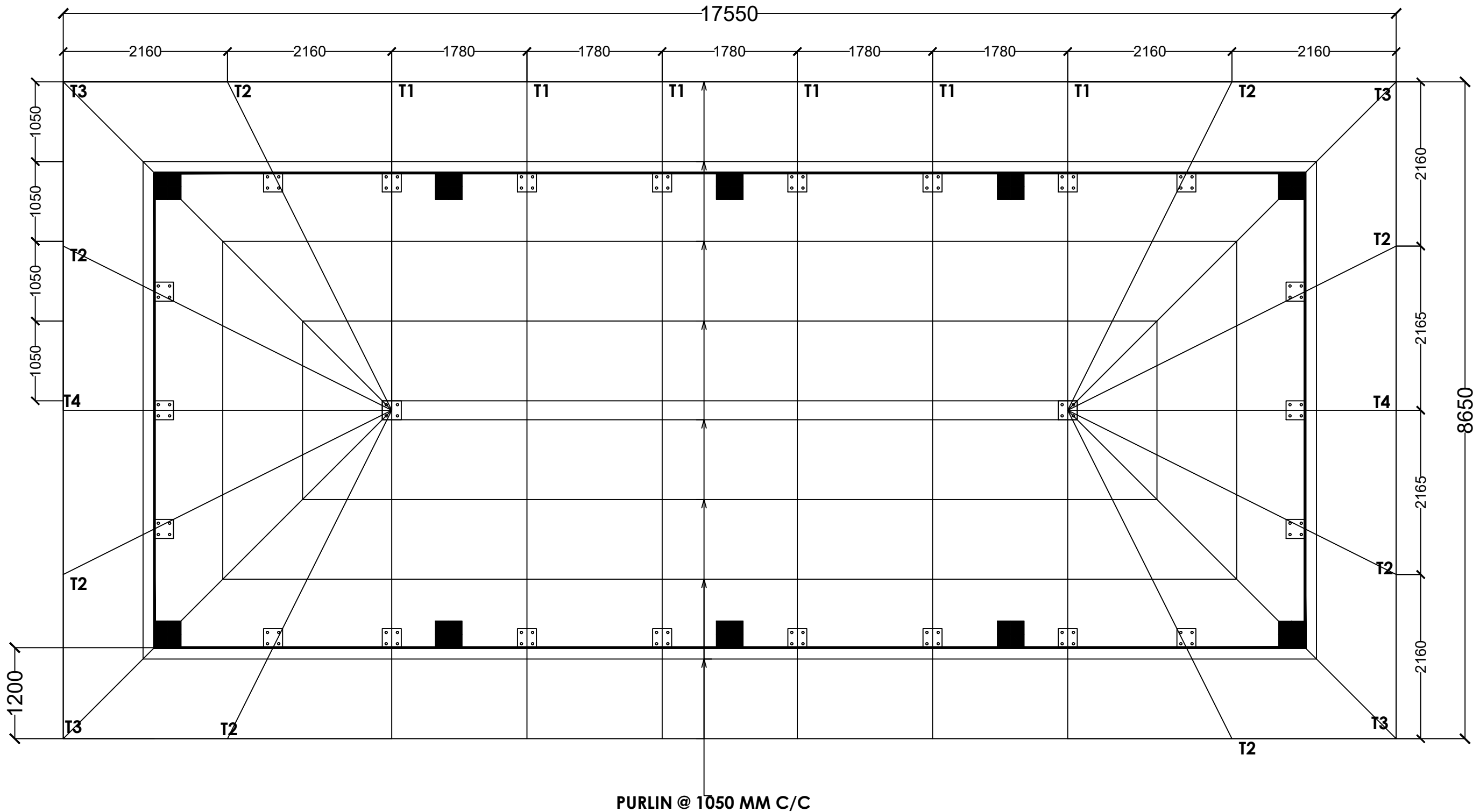
SCALE : NTS



THRAM NO-  
-

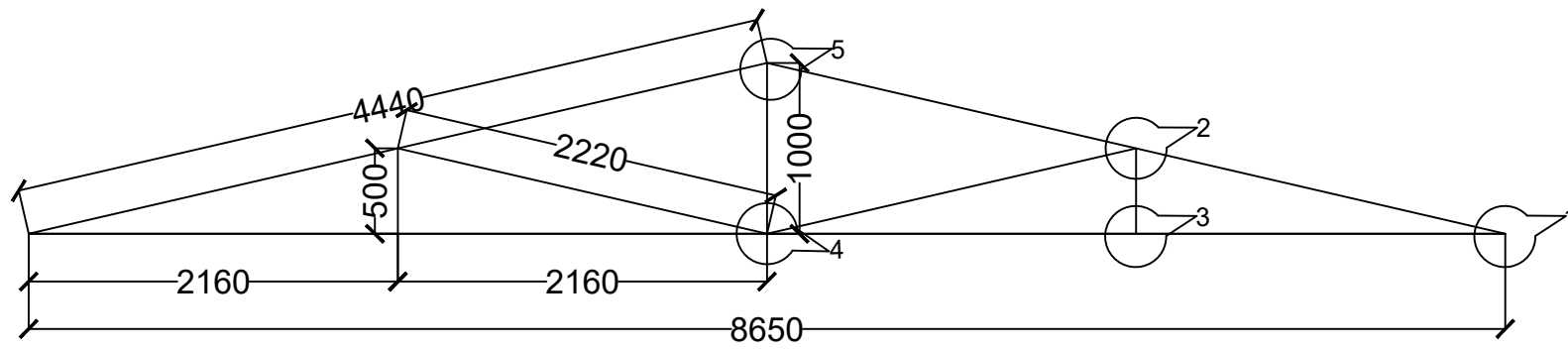
PLOT NO-  
LGPT-225

OWNER:  
STCBL

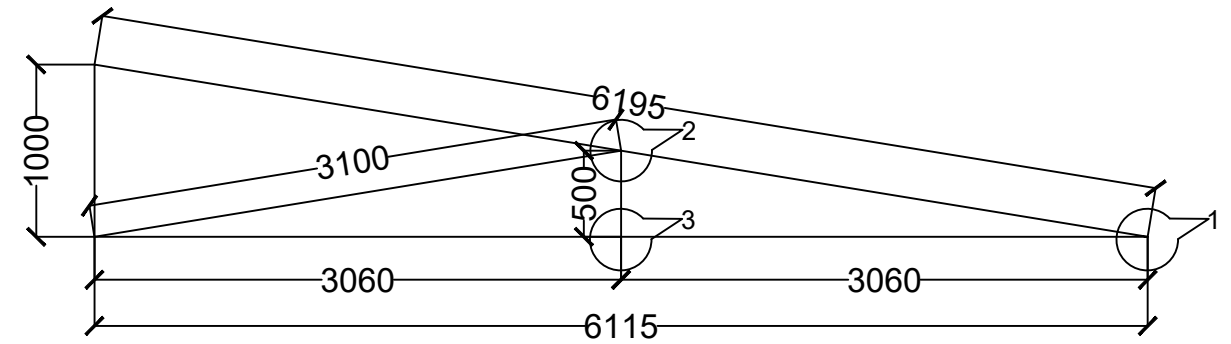
DESIGN & DRAWN BY  
SUGAN PRADHAN  
CIVIL ENGINEER



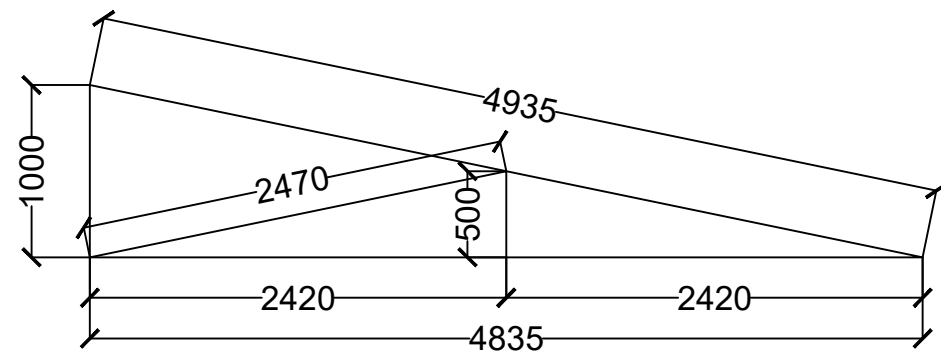
PROJECT TITLE : Fuel Retail Outlet	 SCALE : NTS	LOCATION : CHAMKUNA LAP, PHUENTSHOLING	DATE: MARCH, 2021	SHEET NO   STC- 05	NOTE: ALL DIMENSIONS ARE IN MILLIMETERS UNLESS SPECIFIED OTHERWISE ALL DIMENSIONS MEASURE UNFINISHED SURFACES UNLESS SPECIFIED OTHERWISE	 STCBL <small>State Trading Corporation of Bhutan Ltd</small>	<small>www.greendesign.com.bt gdshutan@gmail.com +975 1763132277845668 FLAT NO 8/11 CONVENIENT STORE NEXT TO THIMPHU THROMDE BUILDING THIMPHU: BHUTAN</small>
DRAWING TITLE : TRUSS LAYOUT DETAILS		THRAM NO- -	PLOT NO- LGPT-225	OWNER: STCBL	DESIGN & DRAWN BY SUGAN PRADHAN CIVIL ENGINEER		



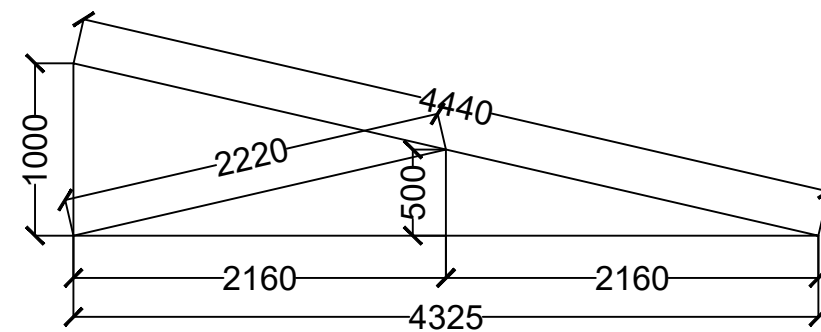
T1 TRUSS DETAILS



T3 TRUSS DETAILS



T2 TRUSS DETAILS



T4 TRUSS DETAILS

PROJECT TITLE : Fuel Retail Outlet



LOCATION :  
CHAMKUNA LAP,  
PHUENTSHOLING

DATE:  
MARCH, 2021

SHEET NO STC- 06

NOTE:

ALL DIMENSIONS ARE IN MILLIMETERS UNLESS SPECIFIED OTHERWISE  
ALL DIMENSIONS MEASURE UNFINISHED SURFACES UNLESS SPECIFIED  
OTHERWISE

DRAWING TITLE : TRUSS DETAILS

SCALE : NTS

THRAM NO-  
-

PLOT NO-  
LGPT-225

OWNER:  
STCBL

DESIGN & DRAWN BY  
SUGAN PRADHAN  
CIVIL ENGINEER

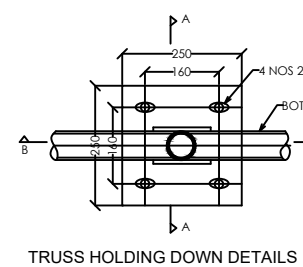
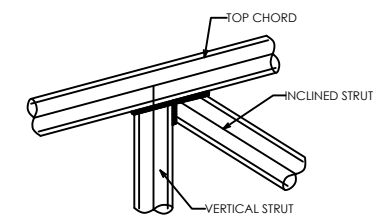
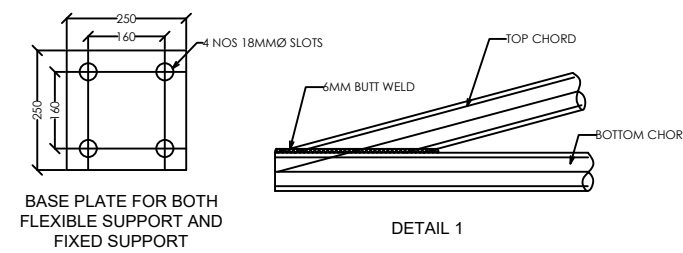
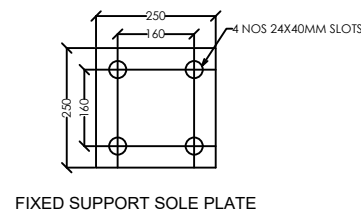
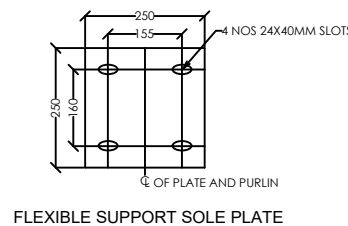
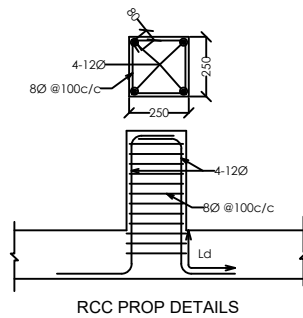
ALL DIMENSIONS ARE TO BE READ AND NOT SCALE OFF  
ANY DISCREPANCY IN DRAWING IS TO BE BROUGHT TO THE IMMEDIATE  
NOTICE OF THE ARCHITECT AND THE ENGINEER



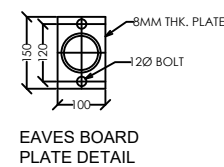
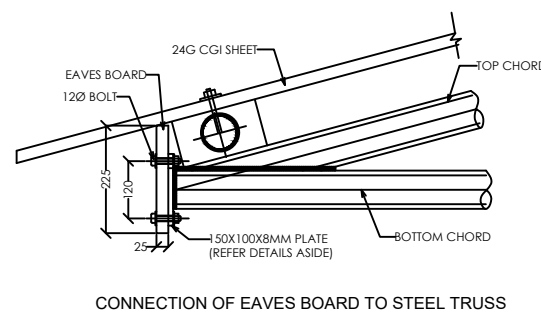
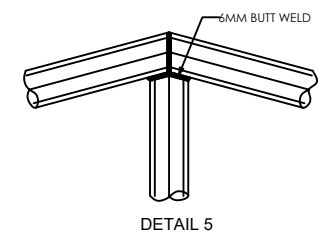
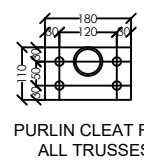
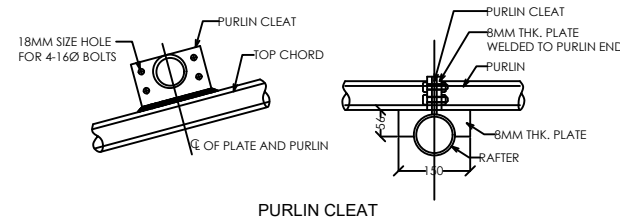
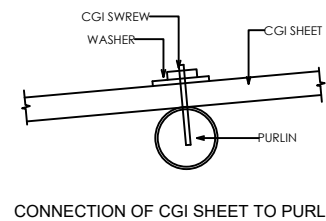
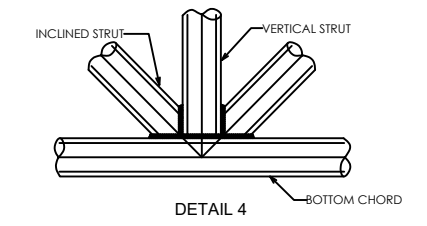
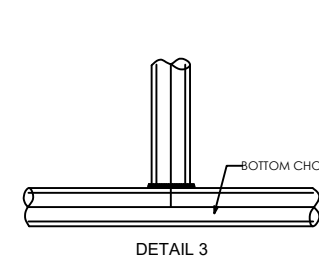
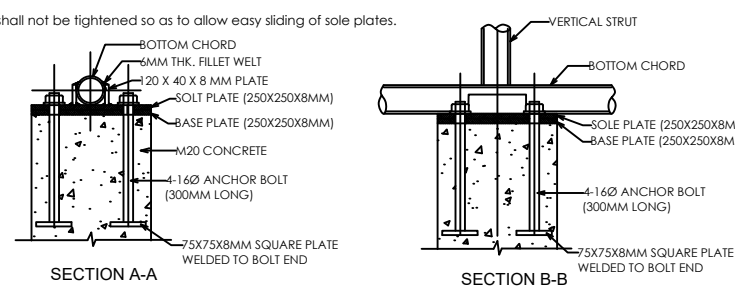
www.greendesign.com.bt  
gdshutan@gmail.com  
+975 1763132277845668  
FLAT NO 8/GONGDZIN LAM  
STORE NEXT TO THIMPHU  
THROMDE BUILDING  
THIMPHU: BHUTAN

## SCHEDULE OF TRUSS MEMBERS

MEMBER	SIZE
Bottom Chord/Tie	60.3mm OD, 3.65mm thick, 5.10Kg/m
Rafter	60.3mm OD, 3.65mm thick, 5.10Kg/m
Post	42.4mm OD, 3.25mm thick, 3.15Kg/m
Strut	42.4mm OD, 3.25mm thick, 3.15Kg/m
Purlin	42.4mm OD, 3.25mm thick, 3.15Kg/m @900c/c



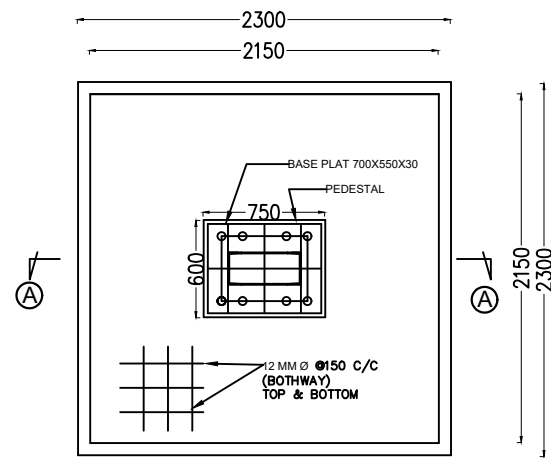
**NOTES:**  
For flexible support, bolts shall not be tightened so as to allow easy sliding of sole plates.



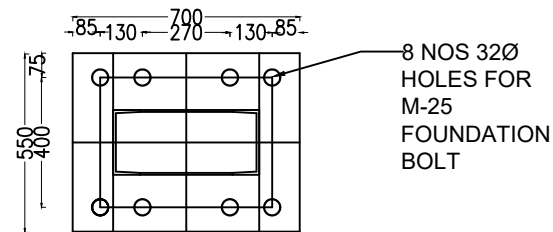
- NOTES:**
- All dimensions are in mm unless stated otherwise.
  - Connection details shown are for different types of joints and to be taken same for similar joints.
  - Height of RCC prop to be taken as per Architectural drawings.
  - All members of truss joint shall be in welding.
  - Welding shall conform to IS 816 and thickness shall be 6mm.
  - All Steel Tube Sections and Plates shall conform to IS 1161 & IS 2062.
  - All MS Nuts & Bolts shall conform to IS 1363-1984 and Washers shall conform to IS 5374.

PROJECT TITLE : Fuel Retail Outlet		LOCATION : CHAMKUNA LAP, PHUENTSHOLING	DATE: MARCH, 2021	SHEET NO   STC- 07	<b>NOTE:</b> ALL DIMENSIONS ARE IN MILLIMETERS UNLESS SPECIFIED OTHERWISE ALL DIMENSIONS MEASURE UNFINISHED SURFACES UNLESS SPECIFIED OTHERWISE ALL DIMENSIONS ARE TO BE READ AND NOT SCALE OFF ANY DISCREPANCY IN DRAWING IS TO BE BROUGHT TO THE IMMEDIATE NOTICE OF THE ARCHITECT AND THE ENGINEER
DRAWING TITLE : TRUSS DETAILS	SCALE : NTS	THRAM NO- -	PLOT NO- LGPT-225	OWNER: STCBL	DESIGN & DRAWN BY SUGAN PRADHAN CIVIL ENGINEER

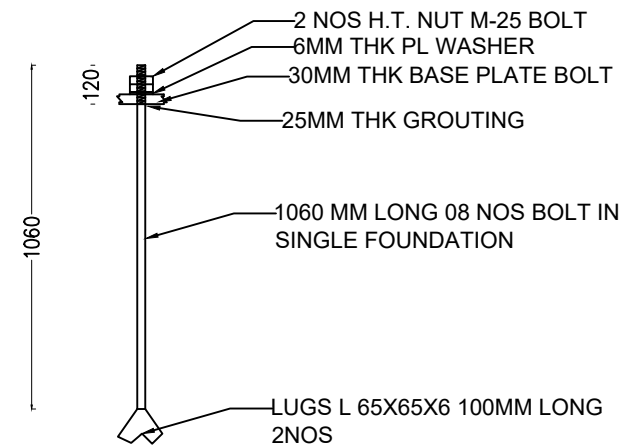
www.greendesign.bt  
gdshutan@gmail.com  
+975 17631322/77845668  
FLAT NO 8/1 GONGDZIN LAM  
STORE NEXT TO THIMPHU  
THROMDE BUILDING  
THIMPHU: BHUTAN



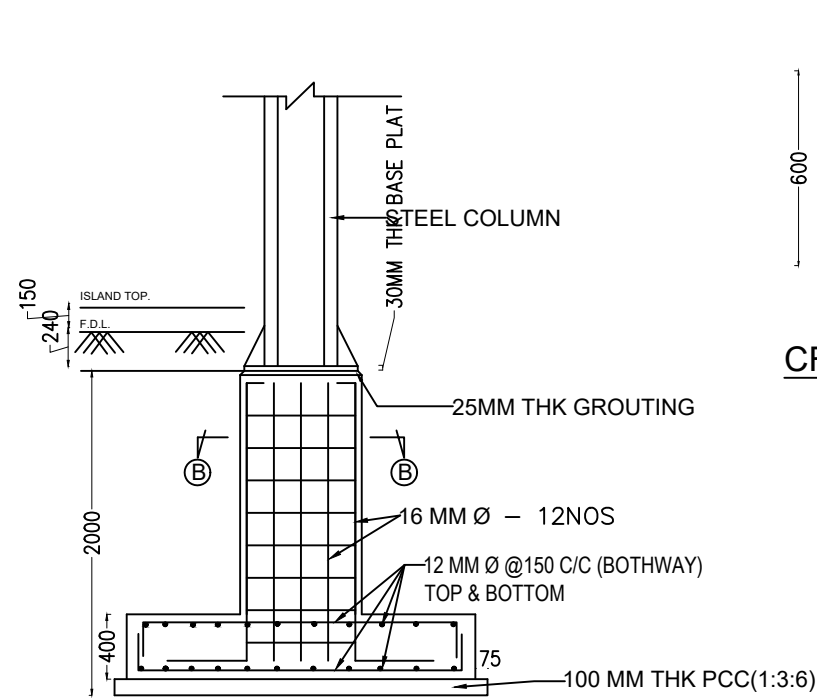
**PLAN OF FOOTING**



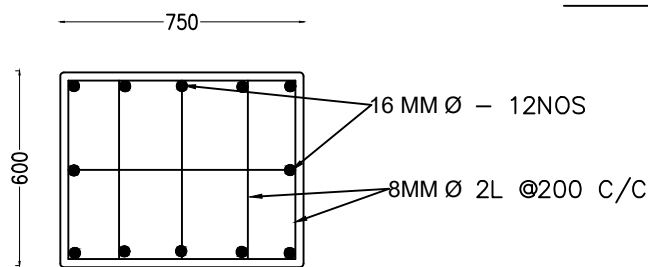
**BASE PLATE PLAN**



**DETAIL OF FOUNDATION BOLT**



**CROSS SECTION A-A**



**CROSS SECTION B-B**

# CANOPY

SHEET TITLE:  
DRAWING OF FOUNDATION DETAILS OF CANOPY

1. ALL DIMENSION ARE IN MILLIMETERS
2. ALL STEEL SURFACES IN CONTACT WITH CONCRETE SHALL NOT BE PAINTED.
3. CONCRETE SHALL BE OF GRADE M-20 (1:1.5:3.)
4. FOR COMMON WALL, WALL THICKNESS SHALL BE 500MM

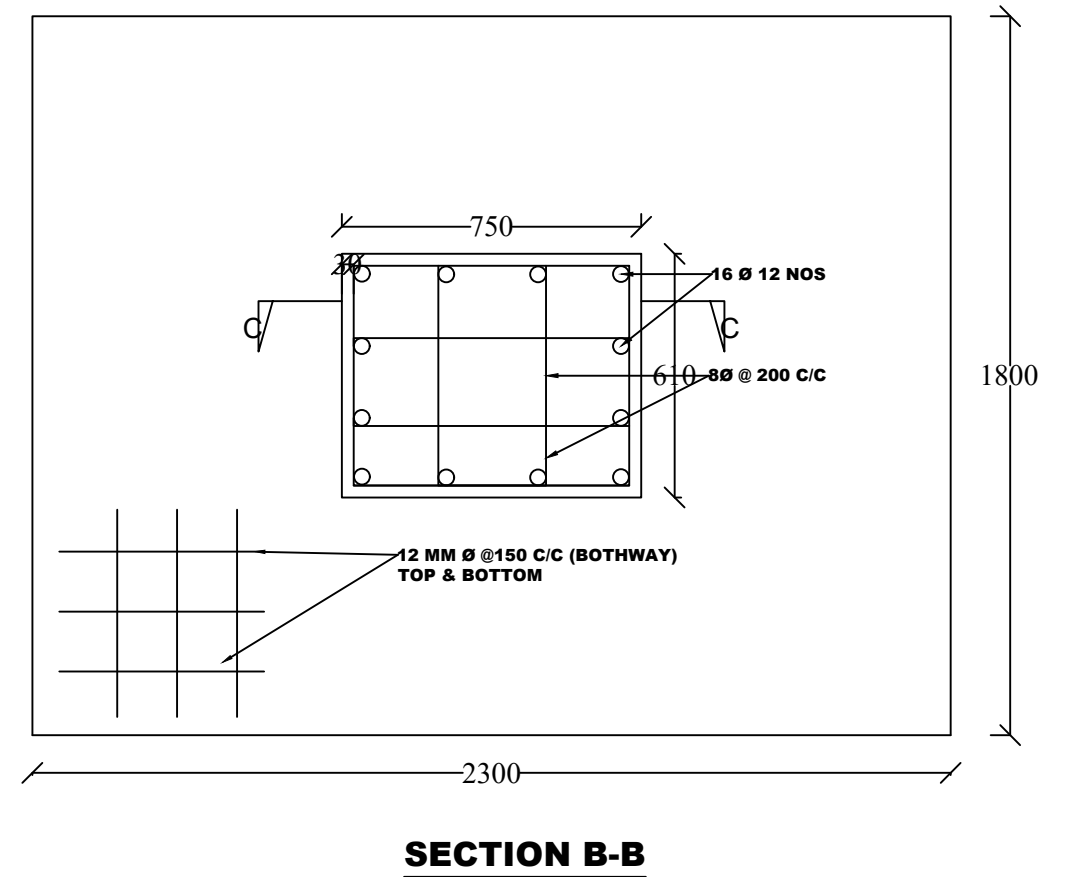
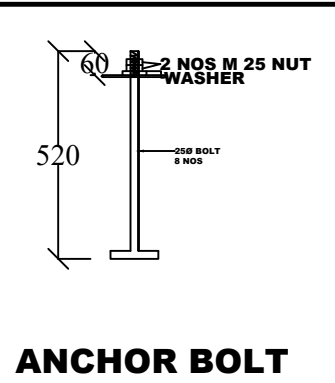
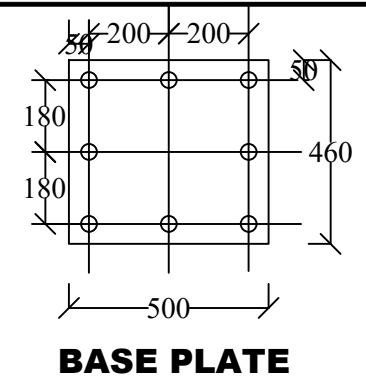
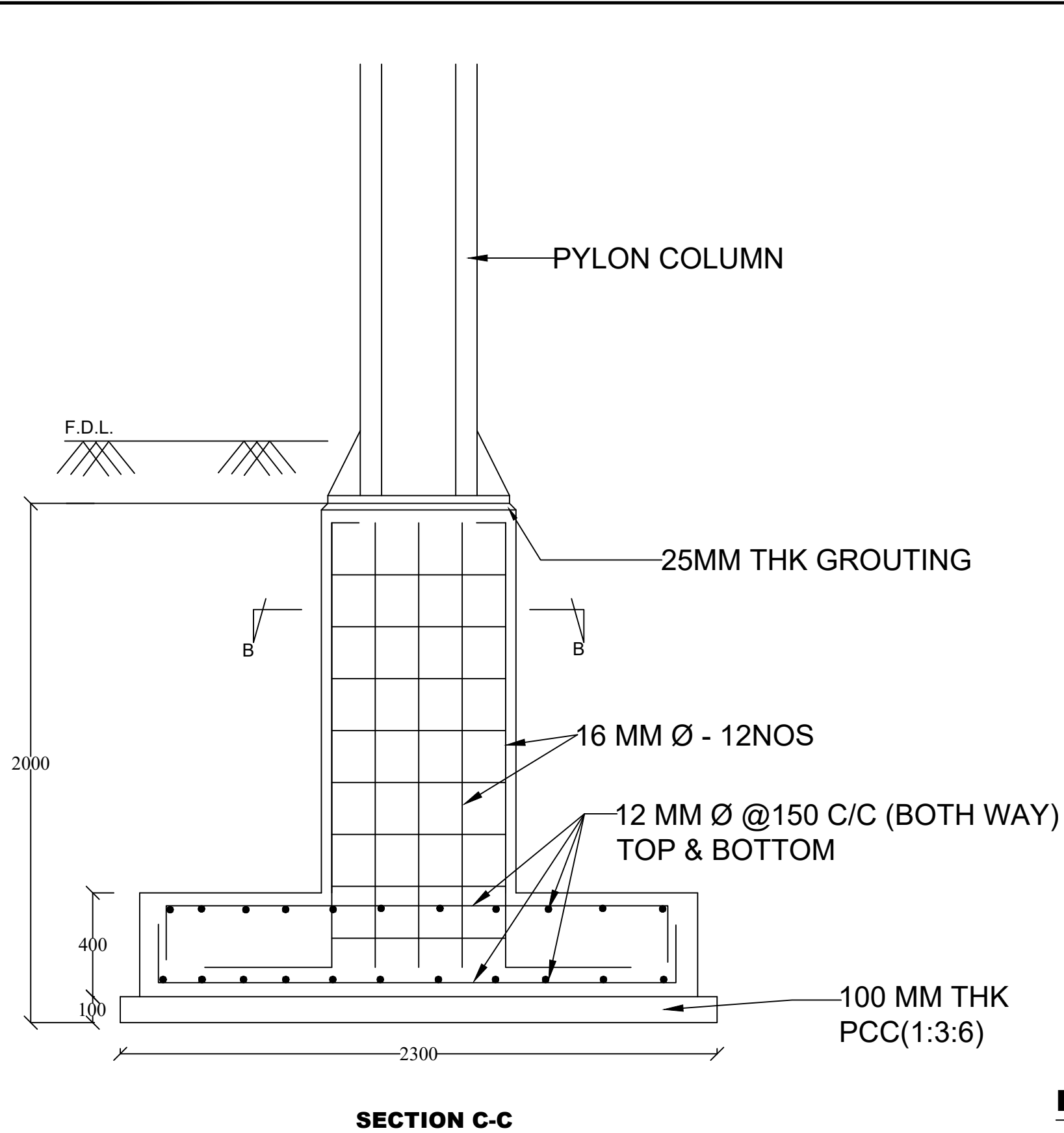
5. CLEAR COVER TO REINFORCEMENT SHALL BE AS FOLLOWS. FOR TOP & BOTTOM SLAB 25MM & SIDES 40MM
6. DEPTH TO BE FINALIZED AT SITE DEPENDING ON SOIL CONDITION.
7. THE WELDING SHALL BE AS PER IS:816 USING ONLY IS MARKED ELECTRODES OF APPROVED MAKE.

9. GRADE OF STEEL SHALL BE Fe 415
10. MINIMUM LAP LENGTH SHALL BE 50 TIMES OF DIA OF BAR & LAP SHALL BE SUITABLY STAGGERED
11. BEARING CAPACITY OF SOIL CONSIDERED 10 T/SQM
12. DESIGN BASIS : IS 456, IS 875 (PART i - iv )

PROJECT TITLE : Fuel Retail Outlet		LOCATION : CHAMKUNA LAP, PHUENTSHOLING	DATE: MARCH, 2021	SHEET NO STC- 08	NOTE: ALL DIMENSIONS ARE IN MILLIMETERS UNLESS SPECIFIED OTHERWISE ALL DIMENSIONS MEASURE UNFINISHED SURFACES UNLESS SPECIFIED OTHERWISE ALL DIMENSIONS ARE TO BE READ AND NOT SCALE OFF ANY DISCREPANCY IN DRAWING IS TO BE BROUGHT TO THE IMMEDIATE NOTICE OF THE ARCHITECT AND THE ENGINEER
DRAWING TITLE : CANOPY FOUNDATION DETAILS	SCALE : NTS	THRAM NO- -	PLOT NO- LGPT-225	OWNER: STCBL	

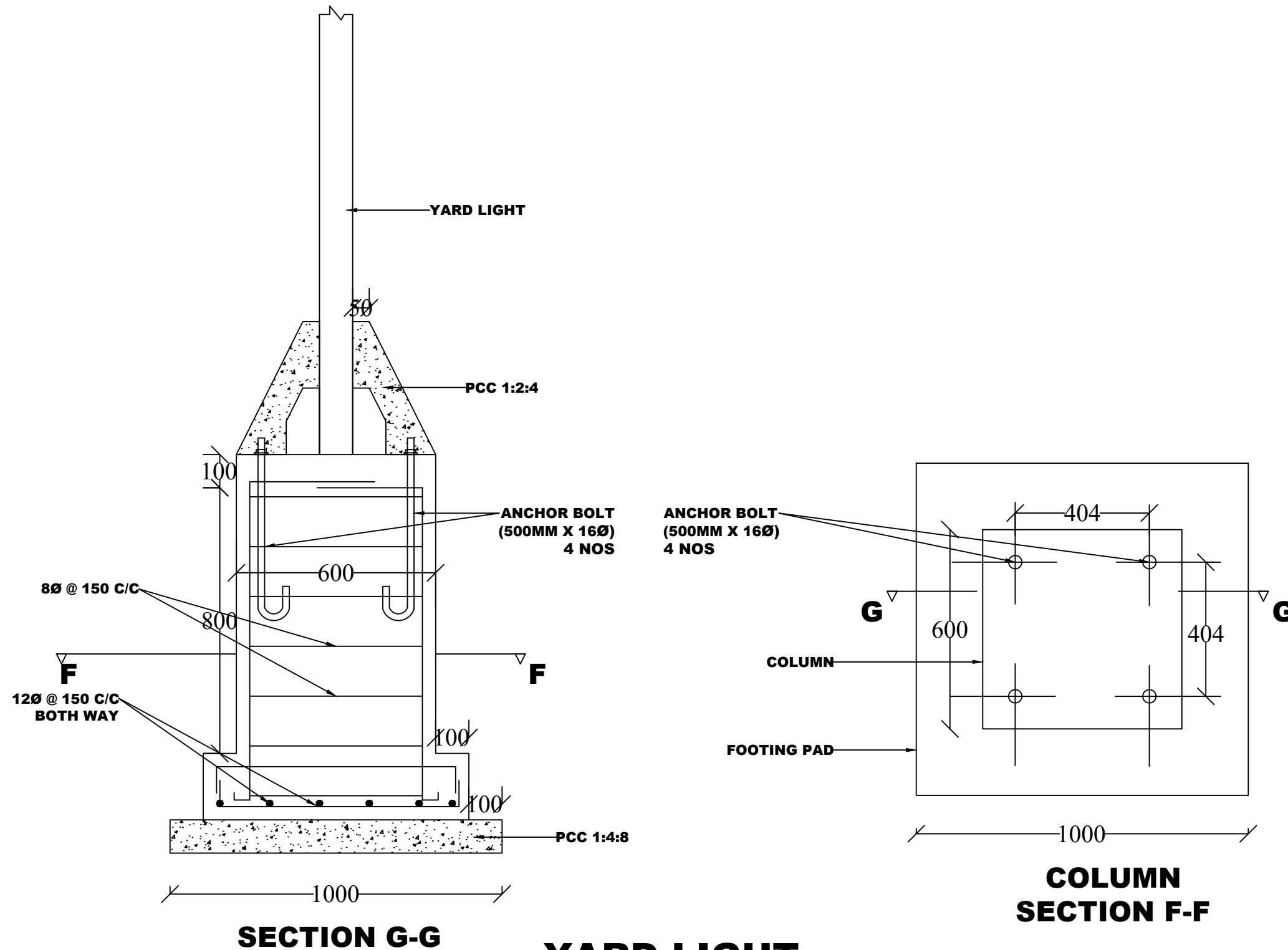
www.greendesign.com.bt  
gds@btanet.com  
+975 1763132277845668  
FLAT NO 8/11 CONVENIENT  
STORE NEXT TO THIMPHU  
THROMDE BUILDING  
THIMPHU: BHUTAN





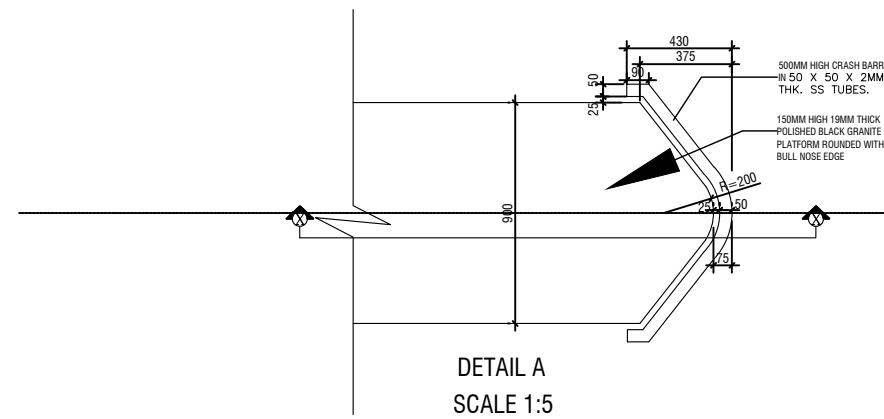
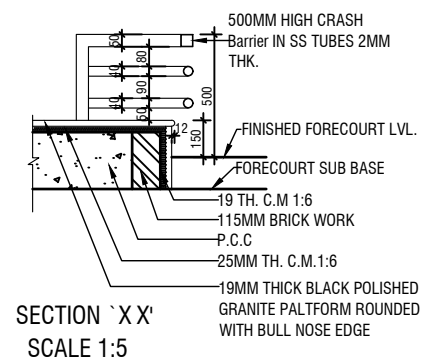
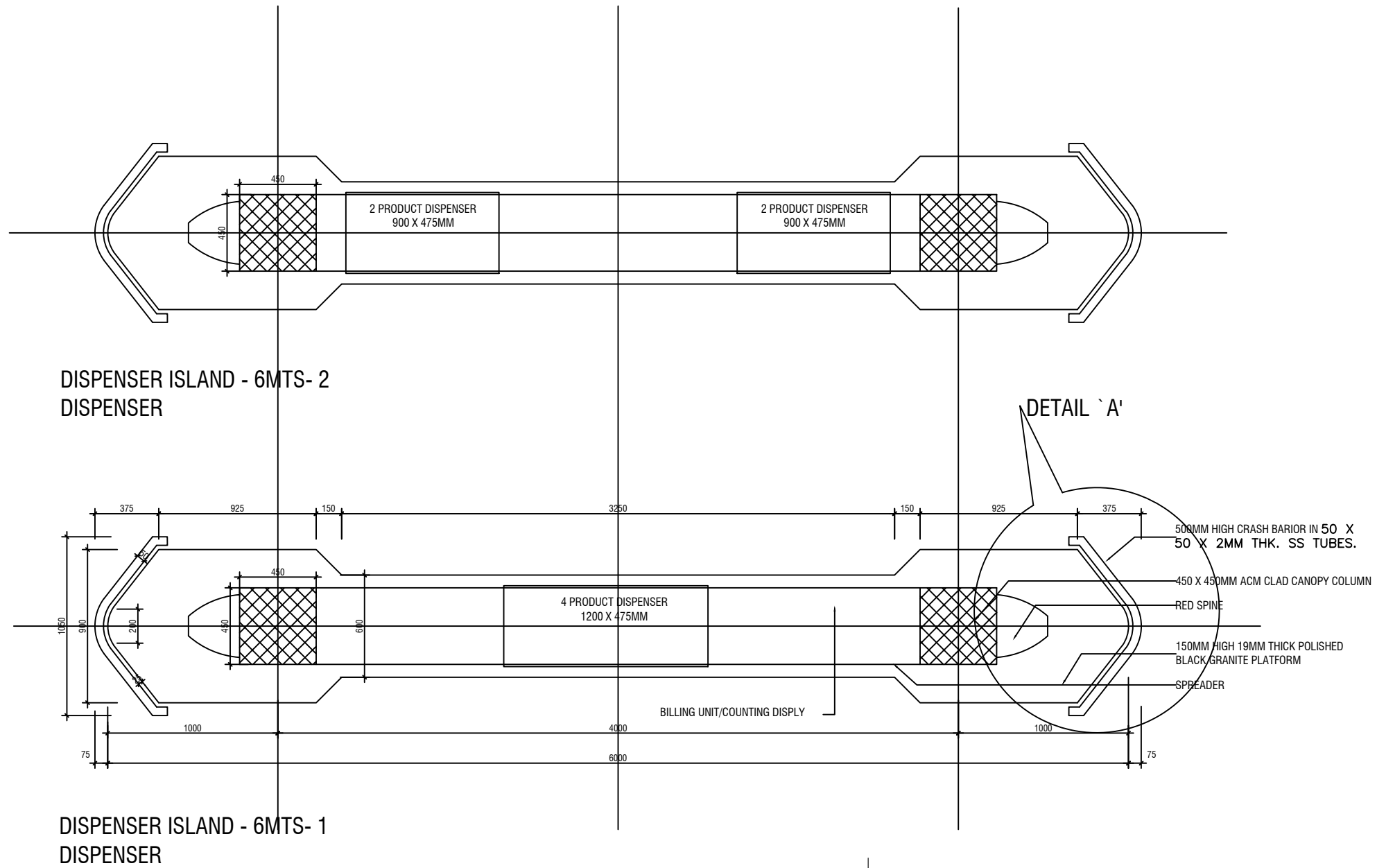


**PYLON FOUNDATION**

PROJECT TITLE : Fuel Retail Outlet		LOCATION : CHAMKUNA LAP, PHUENTSHOLING	DATE: MARCH, 2021	SHEET NO STC- 09	NOTE: ALL DIMENSIONS ARE IN MILLIMETERS UNLESS SPECIFIED OTHERWISE ALL DIMENSIONS MEASURE UNFINISHED SURFACES UNLESS SPECIFIED OTHERWISE ALL DIMENSIONS ARE TO BE READ AND NOT SCALE OFF ANY DISCREPANCY IN DRAWING IS TO BE BROUGHT TO THE IMMEDIATE NOTICE OF THE ARCHITECT AND THE ENGINEER		www.greendesign.com.bt gds@btant@gmail.com +975 1763132277845668 FLAT NO 8/1 GONGDZIN LAM STORE NEXT TO THIMPHU THROMDE BUILDING THIMPHU: BHUTAN
DRAWING TITLE : PYLON FOUNDATION DETAILS	SCALE : NTS	THRAM NO- -	PLOT NO- LGPT-225	OWNER: STCBL			



PROJECT TITLE : Fuel Retail Outlet	 SCALE : NTS	LOCATION : CHAMKUNA LAP, PHUENTSHOLING	DATE: MARCH, 2021	SHEET NO STC- 10	NOTE: ALL DIMENSIONS ARE IN MILLIMETERS UNLESS SPECIFIED OTHERWISE ALL DIMENSIONS MEASURE UNFINISHED SURFACES UNLESS SPECIFIED OTHERWISE ALL DIMENSIONS ARE TO BE READ AND NOT SCALE OFF ANY DISCREPANCY IN DRAWING IS TO BE BROUGHT TO THE IMMEDIATE NOTICE OF THE ARCHITECT AND THE ENGINEER	 State Trading Corporation of Bhutan Ltd.	www.greendesign.com.bt gdsbhutan@gmail.com +975 1763132277845668 FLAT NO 8/11 CONVENIENT STORE NEXT TO THIMPHU THROMDE BUILDING THIMPHU: BHUTAN
DRAWING TITLE : YARD LIGHT FOUNDATION		THRAM NO- -	PLOT NO- LGPT-225	OWNER: STCBL			



PROJECT TITLE : Fuel Retail Outlet



LOCATION :  
CHAMKUNA LAP,  
PHUENTSHOLING

DATE:  
MARCH, 2021

SHEET NO STC- 11

NOTE:

ALL DIMENSIONS ARE IN MILLIMETERS UNLESS SPECIFIED OTHERWISE  
ALL DIMENSIONS MEASURE UNFINISHED SURFACES UNLESS SPECIFIED OTHERWISE  
ALL DIMENSIONS ARE TO BE READ AND NOT SCALE OFF  
ANY DISCREPANCY IN DRAWING IS TO BE BROUGHT TO THE IMMEDIATE NOTICE OF THE ARCHITECT AND THE ENGINEER



www.greendesign.com.bt  
gds@btanet.com  
+975 17631322/77845648  
FLAT NO 8/11 CONVENIENT  
STORE NEXT TO THIMPHU  
THROMDE BUILDING  
THIMPHU, BHUTAN

DRAWING TITLE : ISLAND DETAILS

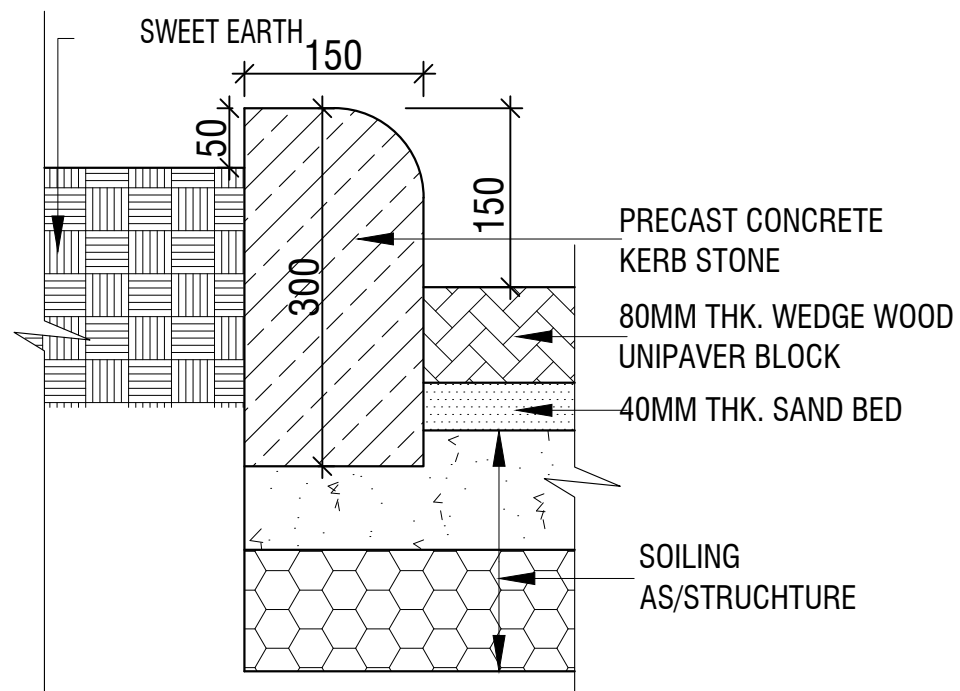
SCALE : NTS

THRAM NO-  
-

PLOT NO-  
LGPT-225

OWNER:  
STCBL

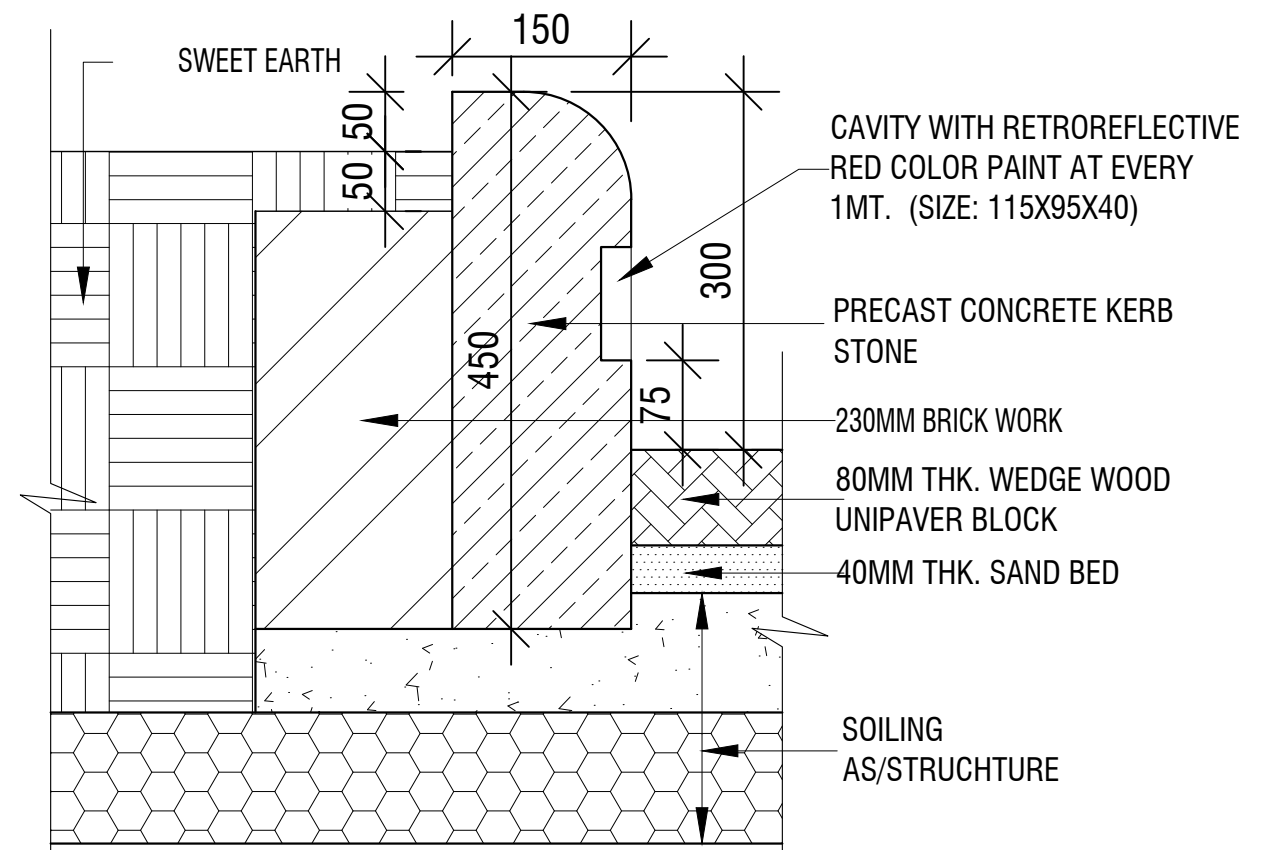
DESIGN & DRAWN BY  
SUGAN PRADHAN  
CIVIL ENGINEER



KERB STONE DETAIL AROUND GREEN AREA

TYPICAL DETAIL 'C'

SCALE 1:50



KERB STONE DETAIL AROUND (D) AREA

TYPICAL DETAIL 'D'

SCALE 1:50

PROJECT TITLE : Fuel Retail Outlet



LOCATION :  
CHAMKUNA LAP,  
PHUENTSHOLING

DATE:  
MARCH, 2021

SHEET NO STC- 12

NOTE:

ALL DIMENSIONS ARE IN MILLIMETERS UNLESS SPECIFIED OTHERWISE  
ALL DIMENSIONS MEASURE UNFINISHED SURFACES UNLESS SPECIFIED OTHERWISE  
ALL DIMENSIONS ARE TO BE READ AND NOT SCALE OFF  
ANY DISCREPANCY IN DRAWING IS TO BE BROUGHT TO THE IMMEDIATE NOTICE OF THE ARCHITECT AND THE ENGINEER

DRAWING TITLE : **KERB STONE DETAILS**

SCALE : NTS

THRAM NO-  
-

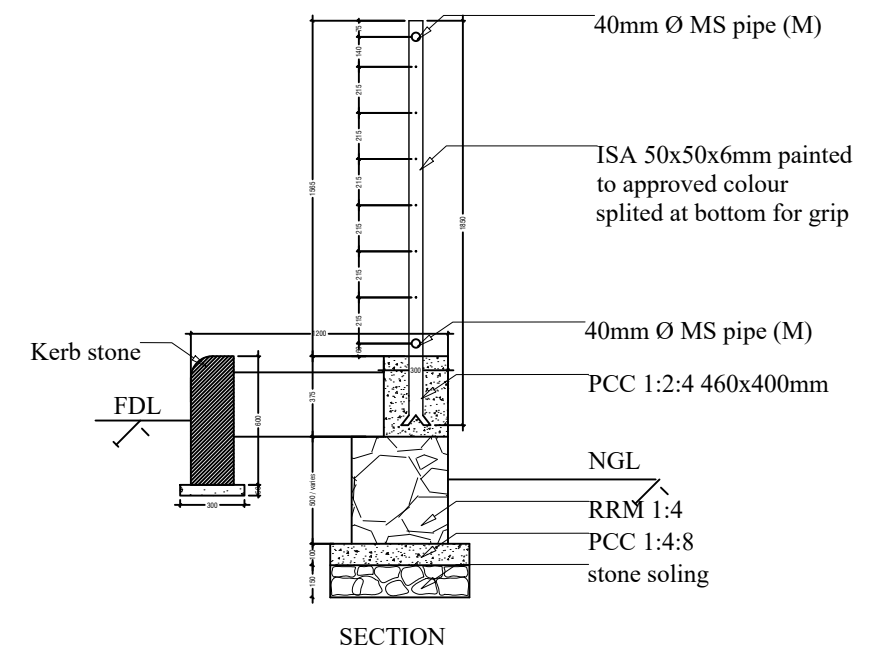
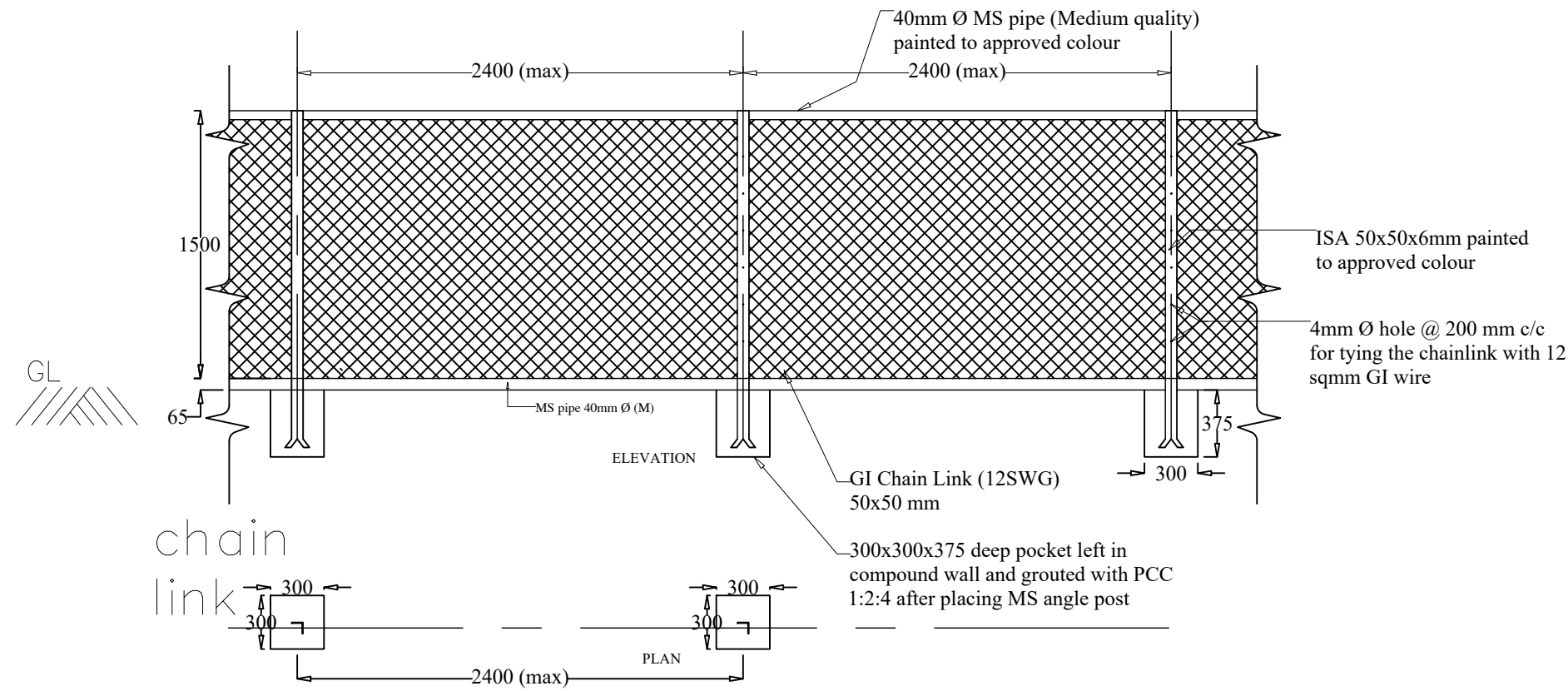
PLOT NO-  
LGPT-225

OWNER:  
STCBL

DESIGN & DRAWN BY  
SUGAN PRADHAN  
CIVIL ENGINEER



www.greendesign.com.bt  
gdsbhutan@gmail.com  
+975 1763132277845668  
FLAT NO 8/11 CONVENIENT  
STORE NEXT TO THIMPHU  
THROMDE BUILDING  
THIMPHU: BHUTAN



PROJECT TITLE : Fuel Retail Outlet



LOCATION :  
CHAMKUNA LAP,  
PHUENTSHOLING

DATE:  
MARCH, 2021

SHEET NO STC- 13

NOTE:

ALL DIMENSIONS ARE IN MILLIMETERS UNLESS SPECIFIED OTHERWISE  
ALL DIMENSIONS MEASURE UNFINISHED SURFACES UNLESS SPECIFIED OTHERWISE  
ALL DIMENSIONS ARE TO BE READ AND NOT SCALE OFF  
ANY DISCREPANCY IN DRAWING IS TO BE BROUGHT TO THE IMMEDIATE NOTICE OF THE ARCHITECT AND THE ENGINEER

DRAWING TITLE : **BOUNDARY FENCING DETAILS**

SCALE : NTS

THRAM NO-  
-

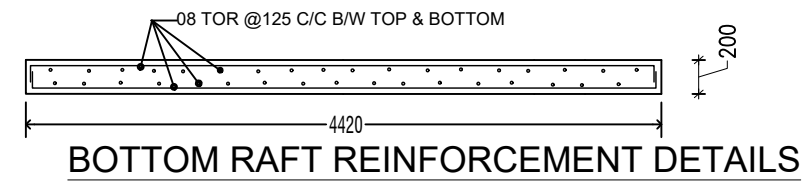
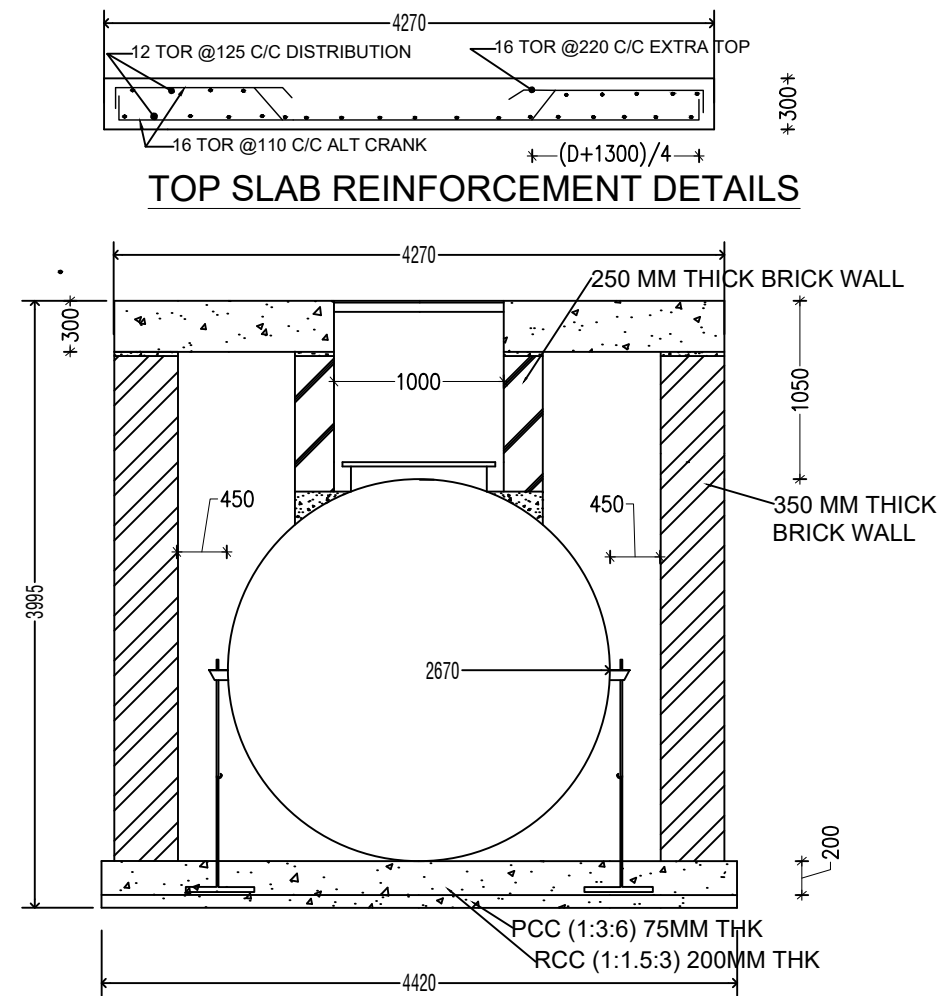
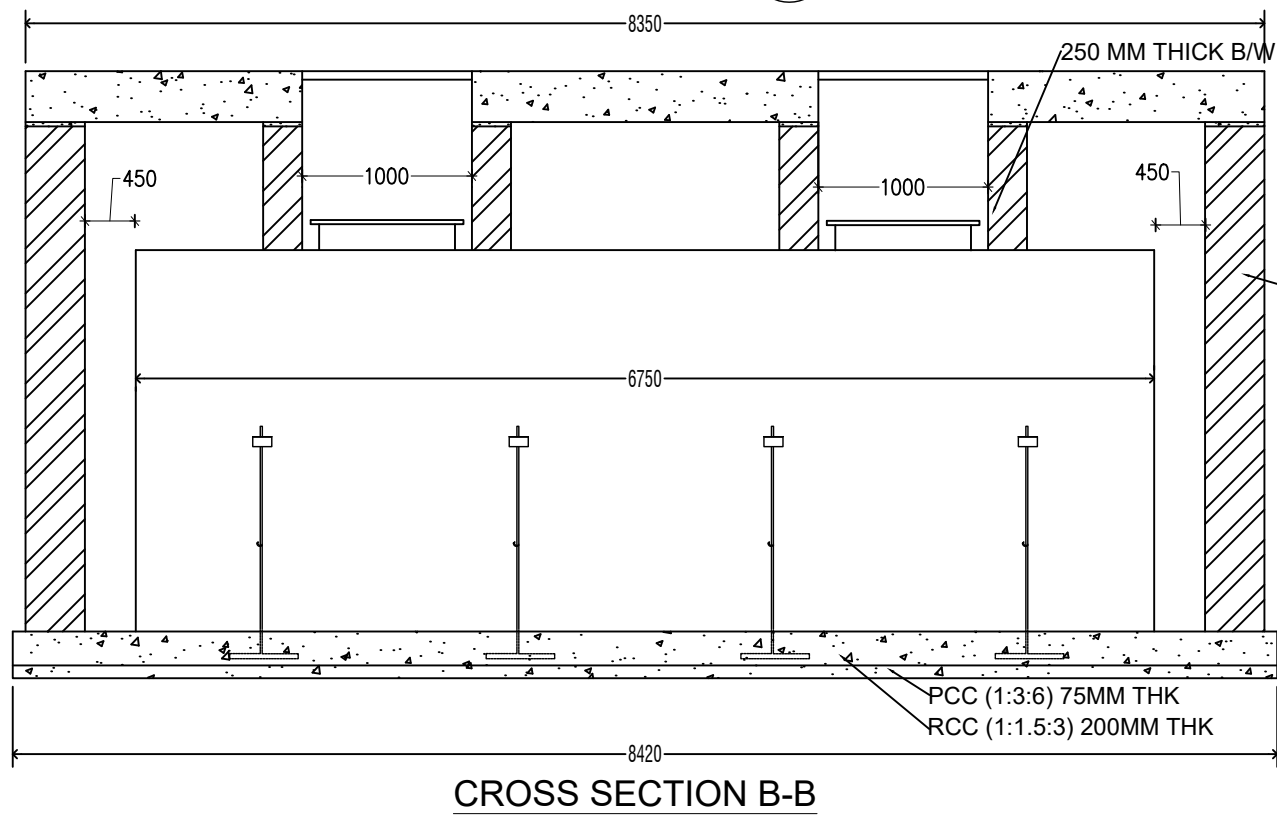
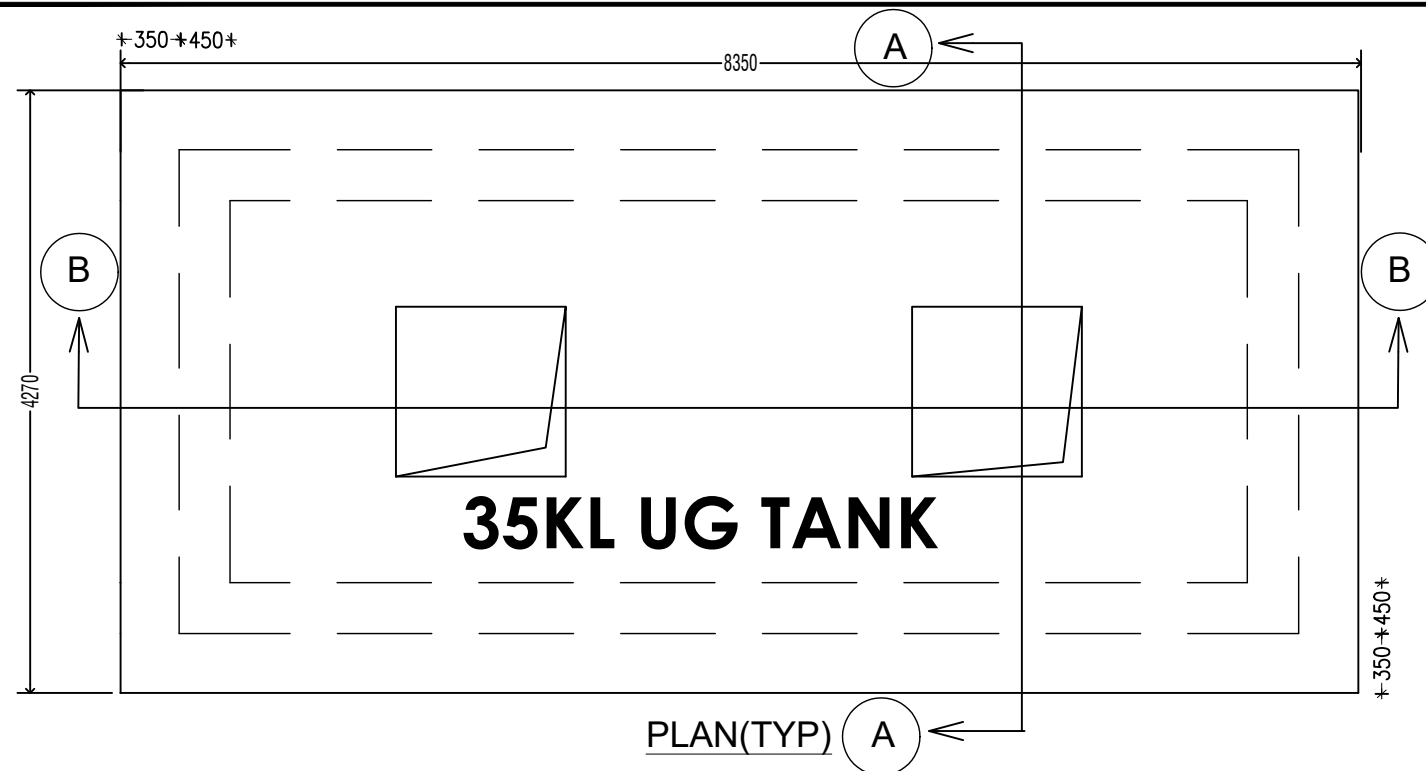
PLOT NO-  
LGPT-225

OWNER:  
STCBL

DESIGN & DRAWN BY  
SUGAN PRADHAN  
CIVIL ENGINEER



www.greendesign.com.bt  
gdshutan@gmail.com  
+975 1763132277845668  
FLAT NO 8/GONGDZIN LAM  
ABOVE 8/11 CONVENIENT  
STORE NEXT TO THIMPHU  
THROMDE BUILDING  
THIMPHU: BHUTAN



SHEET TITLE:  
DRAWING OF 35 KL TANK BRICK MASONRY PIT WITH R.C.C.  
TOP (TYPICAL)

1. ALL DIMENSION ARE IN MILLIMETERS
2. ALL STEEL SURFACES IN CONTACT WITH CONCRETE SHALL NOT BE PAINTED.
3. CONCRETE SHALL BE OF GRADE M-20 (1:1.5:3.)
4. FOR COMMON WALL, WALL THICKNESS SHALL BE 500MM

5. CLEAR COVER TO REINFORCEMENT SHALL BE AS FOLLOWS. FOR TOP & BOTTOM SLAB 25MM & SIDES 40MM
6. DEPTH TO BE FINALIZED AT SITE DEPENDING ON SOIL CONDITION.
7. THE WELDING SHALL BE AS PER IS:816 USING ONLY IS MARKED ELECTRODES OF APPROVED MAKE.

9. GRADE OF STEEL SHALL BE Fe 415
10. MINIMUM LAP LENGTH SHALL BE 50 TIMES OF DIA OF BAR & LAP SHALL BE SUITABLY STAGGERED
11. BEARING CAPACITY OF SOIL CONSIDERED 10 T/SQM

PROJECT TITLE : Fuel Retail Outlet



LOCATION :  
CHAMKUNA LAP,  
PHUENTSHOLING

DATE:  
MARCH, 2021

SHEET NO STC- 14

NOTE:

ALL DIMENSIONS ARE IN MILLIMETERS UNLESS SPECIFIED OTHERWISE  
ALL DIMENSIONS MEASURE UNFINISHED SURFACES UNLESS SPECIFIED OTHERWISE  
ALL DIMENSIONS ARE TO BE READ AND NOT SCALE OFF  
ANY DISCREPANCY IN DRAWING IS TO BE BROUGHT TO THE IMMEDIATE NOTICE OF THE ARCHITECT AND THE ENGINEER

DRAWING TITLE : UG TANK 35KL

SCALE : NTS

THRAM NO-  
-

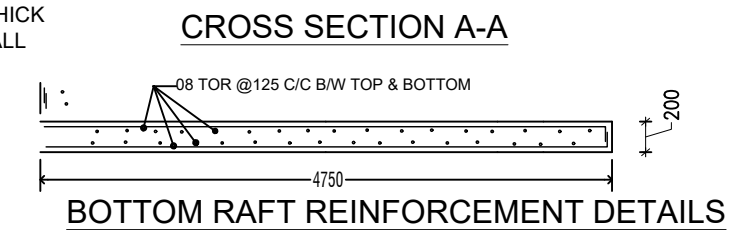
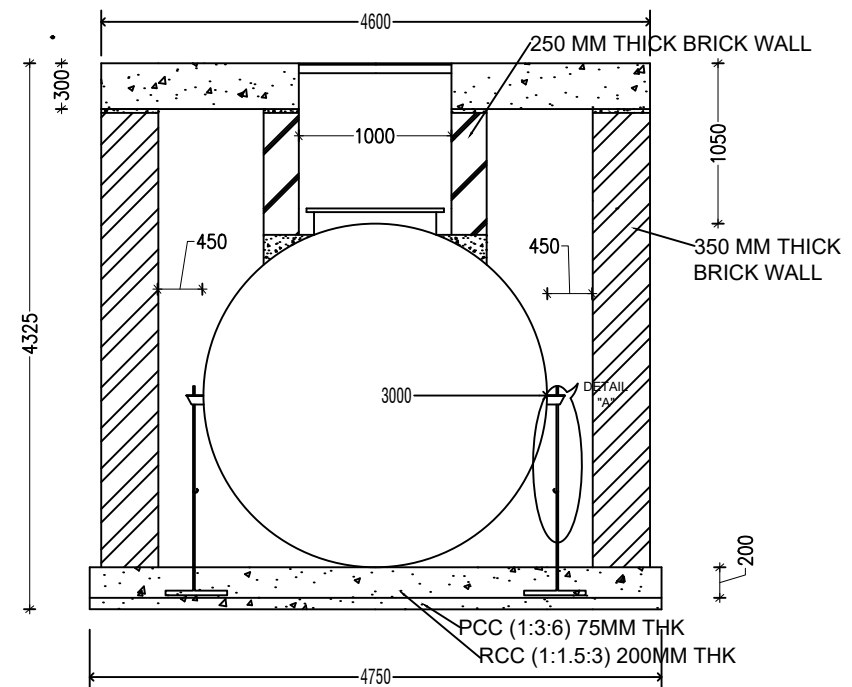
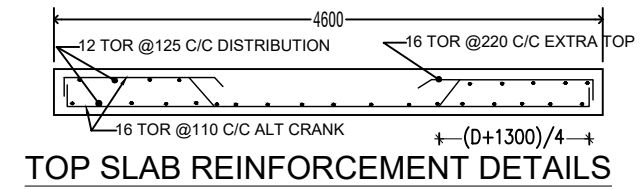
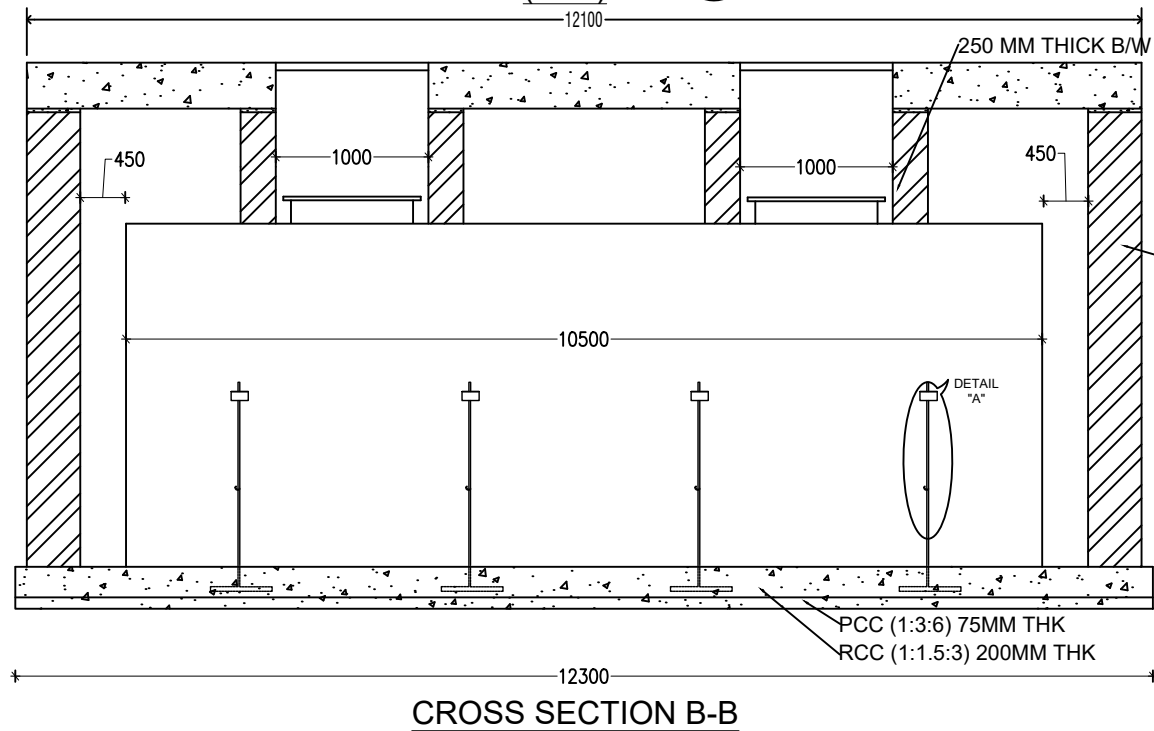
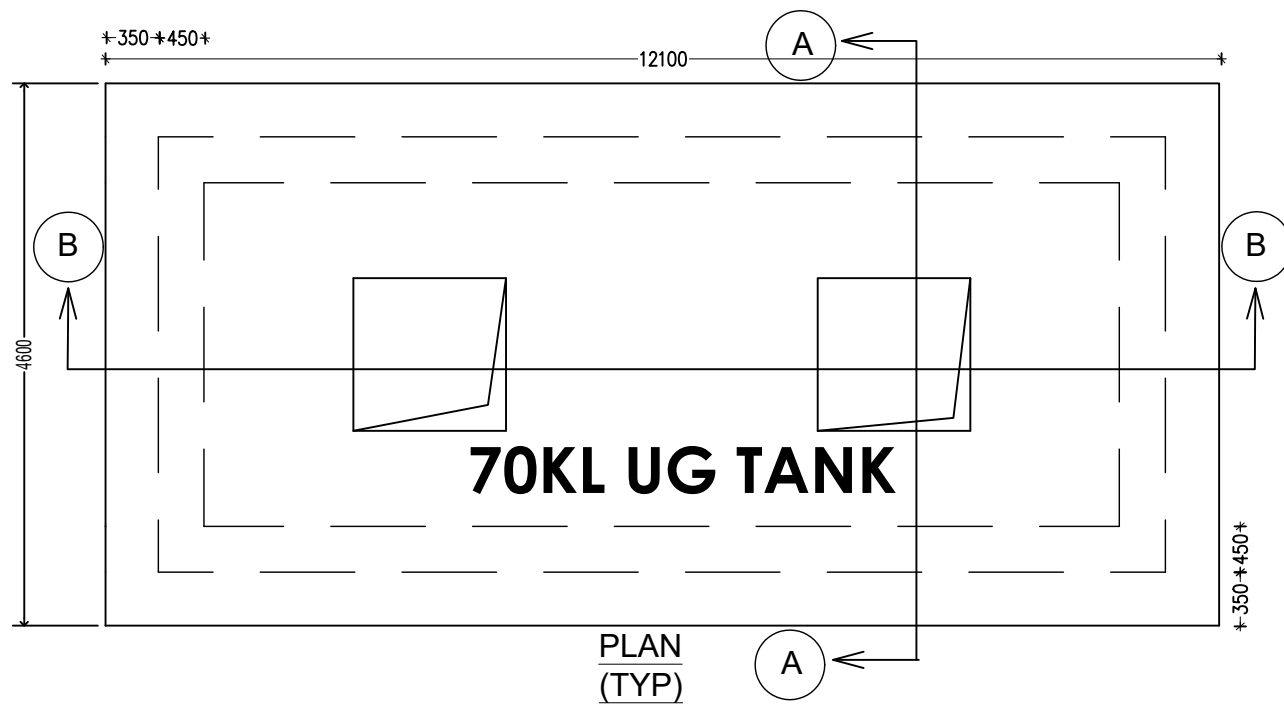
PLOT NO-  
LGPT-225

OWNER:  
STCBL

DESIGN & DRAWN BY  
SUGAN PRADHAN  
CIVIL ENGINEER



www.greendesign.com.bt  
gdshbtan@gmail.com  
+975 1763132277845668  
FLAT NO 8/11 CONVENIENT  
STORE NEXT TO THIMPHU  
THROMDE BUILDING  
THIMPHU: BHUTAN



SHEET TITLE:  
DRAWING OF 45 KL TANK BRICK MASONRY PIT WITH R.C.C.  
TOP (TYPICAL)

1. ALL DIMENSION ARE IN MILLIMETERS
2. ALL STEEL SURFACES IN CONTACT WITH CONCRETE SHALL NOT BE PAINTED.
3. CONCRETE SHALL BE OF GRADE M-20 (1:1.5:3.)
4. FOR COMMON WALL, WALL THICKNESS SHALL BE 500MM

5. CLEAR COVER TO REINFORCEMENT SHALL BE AS FOLLOWS. FOR TOP & BOTTOM SLAB 25MM & SIDES 40MM
6. DEPTH TO BE FINALIZED AT SITE DEPENDING ON SOIL CONDITION.
7. THE WELDING SHALL BE AS PER IS:816 USING ONLY IS MARKED ELECTRODES OF APPROVED MAKE.

9. GRADE OF STEEL SHALL BE Fe 415
10. MINIMUM LAP LENGTH SHALL BE 50 TIMES OF DIA OF BAR & LAP SHALL BE SUITABLY STAGGERED
11. BEARING CAPACITY OF SOIL CONSIDERED 10 T/SQM

PROJECT TITLE : Fuel Retail Outlet		LOCATION : CHAMKUNA LAP, PHUENTSHOLING	DATE: MARCH, 2021	SHEET NO STC- 15	NOTE: ALL DIMENSIONS ARE IN MILLIMETERS UNLESS SPECIFIED OTHERWISE ALL DIMENSIONS MEASURE UNFINISHED SURFACES UNLESS SPECIFIED OTHERWISE ALL DIMENSIONS ARE TO BE READ AND NOT SCALE OFF ANY DISCREPANCY IN DRAWING IS TO BE BROUGHT TO THE IMMEDIATE NOTICE OF THE ARCHITECT AND THE ENGINEER		www.greendesign.com.bt gdshutan@gmail.com +975 1763132277845668 FLAT NO 8/11 CONVENIENT STORE NEXT TO THIMPHU THROMDE BUILDING THIMPHU: BHUTAN
DRAWING TITLE : UG TANK 70KL	SCALE : NTS	THRAM NO- -	PLOT NO- LGPT-225	OWNER: STCBL			